

# PARTS LIST

BC4322H-RS

## CONTENTS

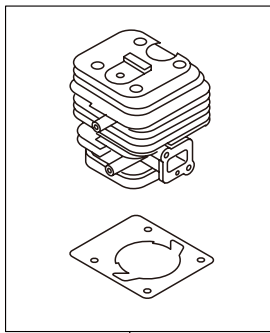
|                                |    |
|--------------------------------|----|
| 1. PARTS KIT .....             | 1  |
| 2. MAIN BODY .....             | 3  |
| 3. GEAR CASE.....              | 7  |
| 4. ENGINE .....                | 9  |
| 5. CARBURETOR, FUEL TANK ..... | 13 |
| 6. ACCESSORIES .....           | 15 |

2023. 01.

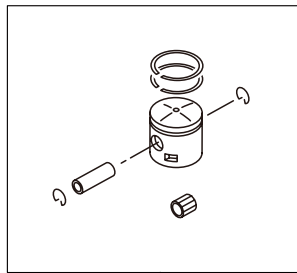


P/N 525398

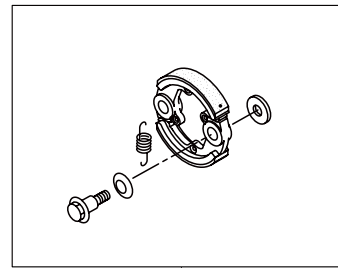
BC4322H-RS  
1. PARTS KIT



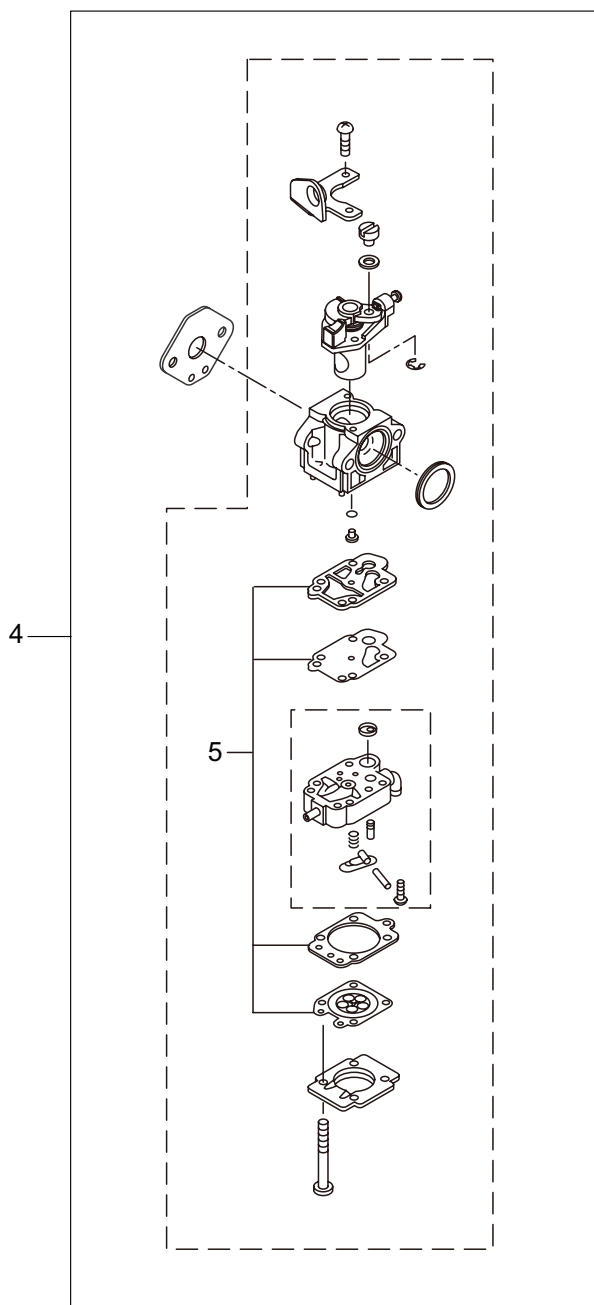
1



2

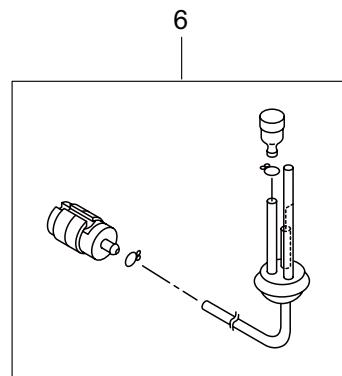


3



4

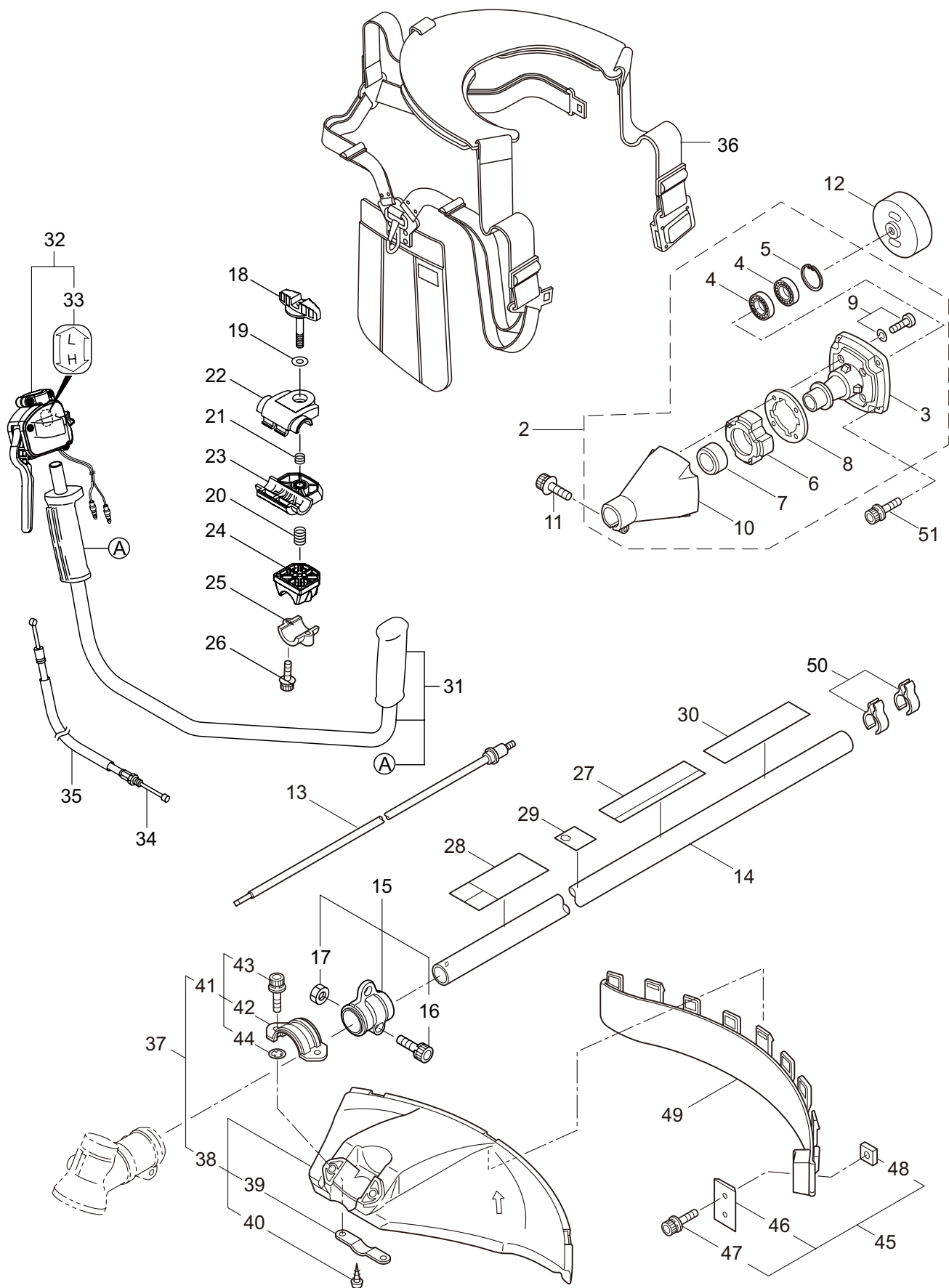
5



6

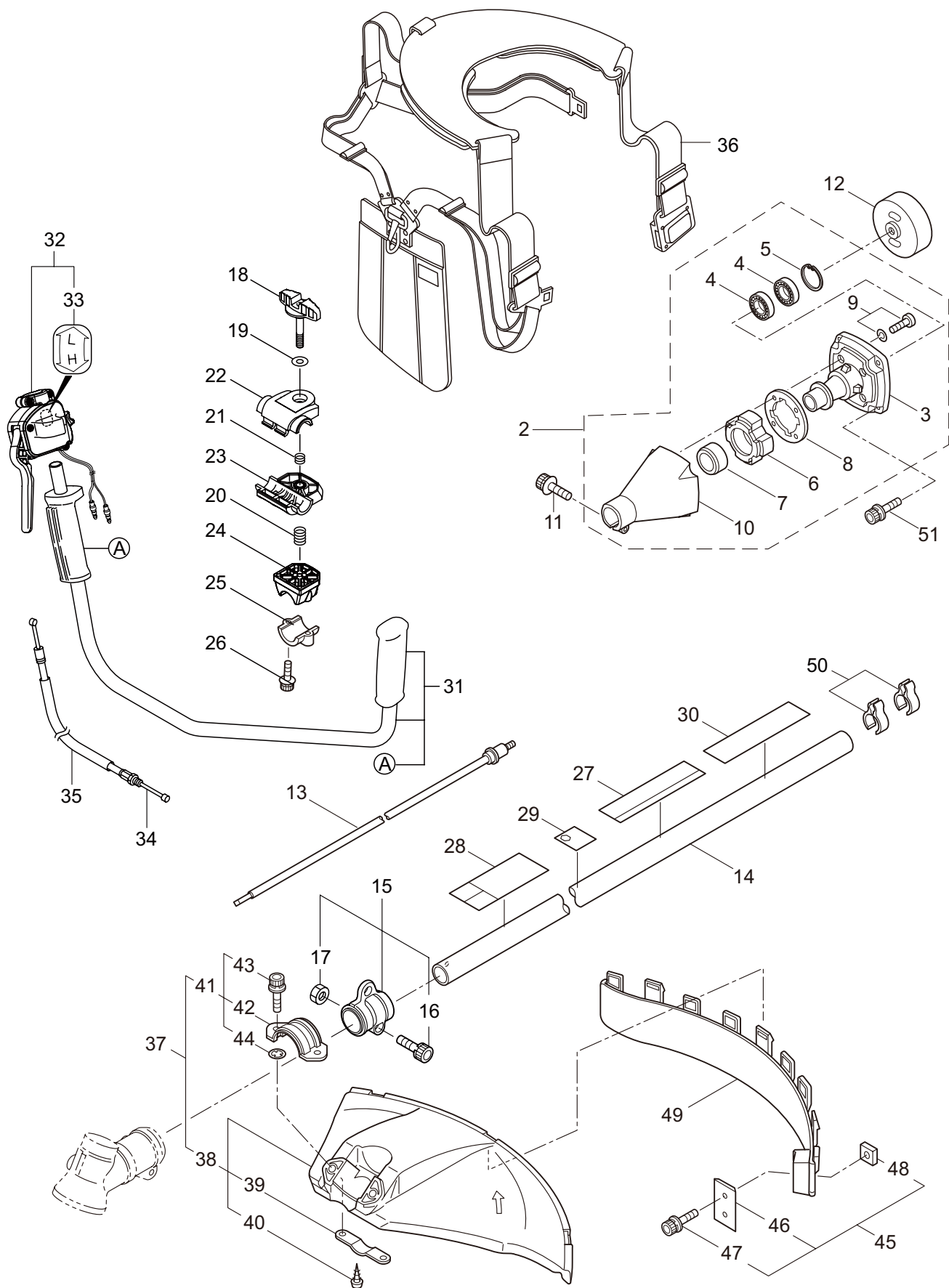
| Ref. No. | Part No. | Part Name            | Q'ty | Remarks |
|----------|----------|----------------------|------|---------|
| 1-1      | 246913   | Cylinder Kit         | 1    |         |
| 1-2      | 246914   | Piston Kit           | 1    |         |
| 1-3      | 246912   | Clutch Kit           | 1    |         |
| 1-4      | 246916   | Carburetor Kit       | 1    | Incl.5  |
| 1-5      | 246918   | Carburetor Parts Kit | 1    |         |
| 1-6      | 246915   | Hose Kit             | 1    |         |
|          |          |                      |      |         |
|          |          |                      |      |         |
|          |          |                      |      |         |
|          |          |                      |      |         |
|          |          |                      |      |         |
|          |          |                      |      |         |
|          |          |                      |      |         |
|          |          |                      |      |         |
|          |          |                      |      |         |

BC4322H-RS  
2. MAIN BODY



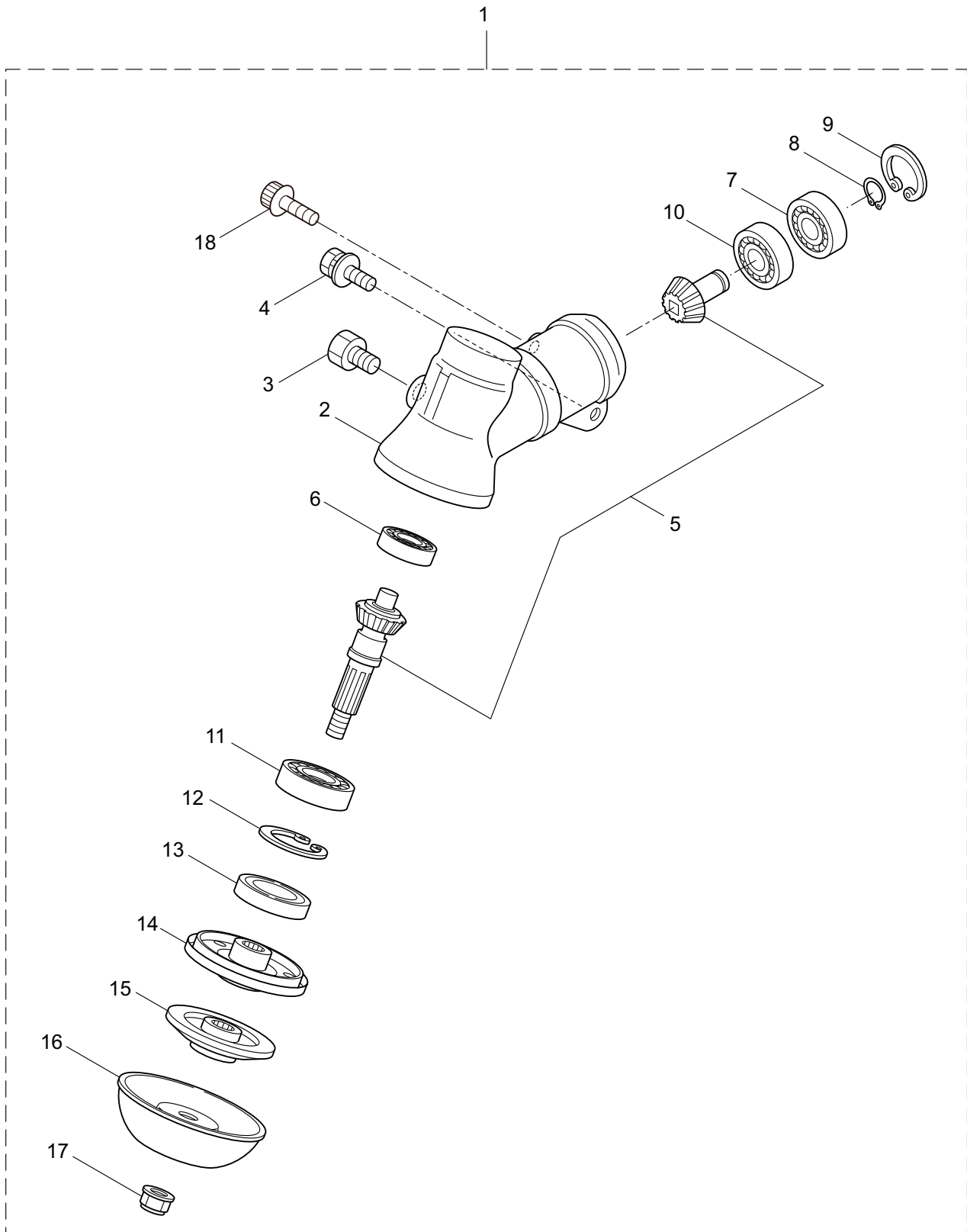
| Ref. No. | Part No. | Part Name               | Q'ty | Remarks       |
|----------|----------|-------------------------|------|---------------|
| 2-1      | 365115   | BC4322H-RS              | 1    |               |
| 2-2      | 234162   | Clutch Case Ass'y       | 1    | Incl.3-10     |
| 2-3      | 234143   | Bearing Case            | 1    |               |
| 2-4      | 140474   | Bearing                 | 2    | #6202ZZ       |
| 2-5      | 012380   | Snap Ring               | 1    | #35           |
| 2-6      | 217045   | Buffer (A)              | 1    |               |
| 2-7      | 217046   | Buffer (B)              | 1    |               |
| 2-8      | 217047   | Washer                  | 1    |               |
| 2-9      | 092033   | Screw                   | 4    | M5x15         |
| 2-10     | 227728   | Driveshaft Tube Adapter | 1    |               |
| 2-11     | 217134   | Bolt                    | 1    | M6x30         |
| 2-12     | 211203   | Clutch Drum             | 1    |               |
| 2-13     | 217897   | Driveshaft Ass'y        | 1    |               |
| 2-14     | 217900   | Driveshaft Tube         | 1    |               |
| 2-15     | 232696   | Hanging Bracket Ass'y   | 1    | Incl.16,17    |
| 2-16     | 232700   | Bolt                    | 1    | M5x25         |
| 2-17     | 126993   | Nut                     | 1    | M5            |
| 2-18     | 244089   | Knob                    | 1    |               |
| 2-19     | 127216   | Washer                  | 1    | M8            |
| 2-20     | 231913   | Spring                  | 1    | 15.6x25.5L    |
| 2-21     | 231914   | Spring                  | 1    | 13.8x15L      |
| 2-22     | 244147   | Bracket A               | 1    |               |
| 2-23     | 244148   | Bracket B               | 1    |               |
| 2-24     | 244091   | Bracket C               | 1    |               |
| 2-25     | 244092   | Bracket D               | 1    |               |
| 2-26     | 217134   | Bolt                    | 2    | M6x30         |
| 2-27     | 244228   | Label                   | 1    | BC4322H-RS    |
| 2-28     | 223188   | Label                   | 1    |               |
| 2-29     | 228207   | Label                   | 1    |               |
| 2-30     | 243344   | Label                   | 1    | MADE IN JAPAN |
| 2-31     | 244229   | Handle Ass'y            | 1    |               |
| 2-32     | 244230   | Throttle Trigger        | 1    | Incl.33       |
| 2-33     | 237241   | Label                   | 1    |               |
| 2-34     | 243417   | Throttle Wire Comp      | 1    |               |
| 2-35     | 243418   | Tube                    | 1    | 790L          |
| 2-36     | 234345   | Hanging Strap Ass'y     | 1    |               |
| 2-37     | 232092   | Safety Cover Ass'y      | 1    | Incl.38-44    |
| 2-38     | 231262   | Safety Cover Ass'y      | 1    | Incl.39,40    |
| 2-39     | 237364   | Threaded Bracket        | 1    |               |
| 2-40     | 221580   | Screw                   | 1    | 4x8           |
| 2-41     | 232093   | Bracket Ass'y           | 1    | Incl.42-44    |
| 2-42     | 223179   | Bracket                 | 1    |               |
| 2-43     | 220632   | Cap Screw               | 2    | M6x30         |
| 2-44     | 231704   | Washer                  | 2    | 6x13xt1.0     |
| 2-45     | 231882   | String Cutter Ass'y     | 1    | Incl.46-48    |

BC4322H-RS  
2. MAIN BODY



| Ref. No. | Part No. | Part Name       | Q'ty | Remarks |
|----------|----------|-----------------|------|---------|
| 2-46     | 230747   | String Cutter   | 1    | M5x20   |
| 2-47     | 261250   | Cap Screw       | 1    |         |
| 2-48     | 228325   | Nut             | 1    |         |
| 2-49     | 230748   | Cover Extention | 1    |         |
| 2-50     | 219161   | Wire Guide      | 2    |         |
| 2-51     | 219113   | Cap Screw       | 4    | M6x20   |
|          |          |                 |      |         |
|          |          |                 |      |         |
|          |          |                 |      |         |
|          |          |                 |      |         |
|          |          |                 |      |         |
|          |          |                 |      |         |
|          |          |                 |      |         |
|          |          |                 |      |         |
|          |          |                 |      |         |

BC4322H-RS  
3. GEAR CASE

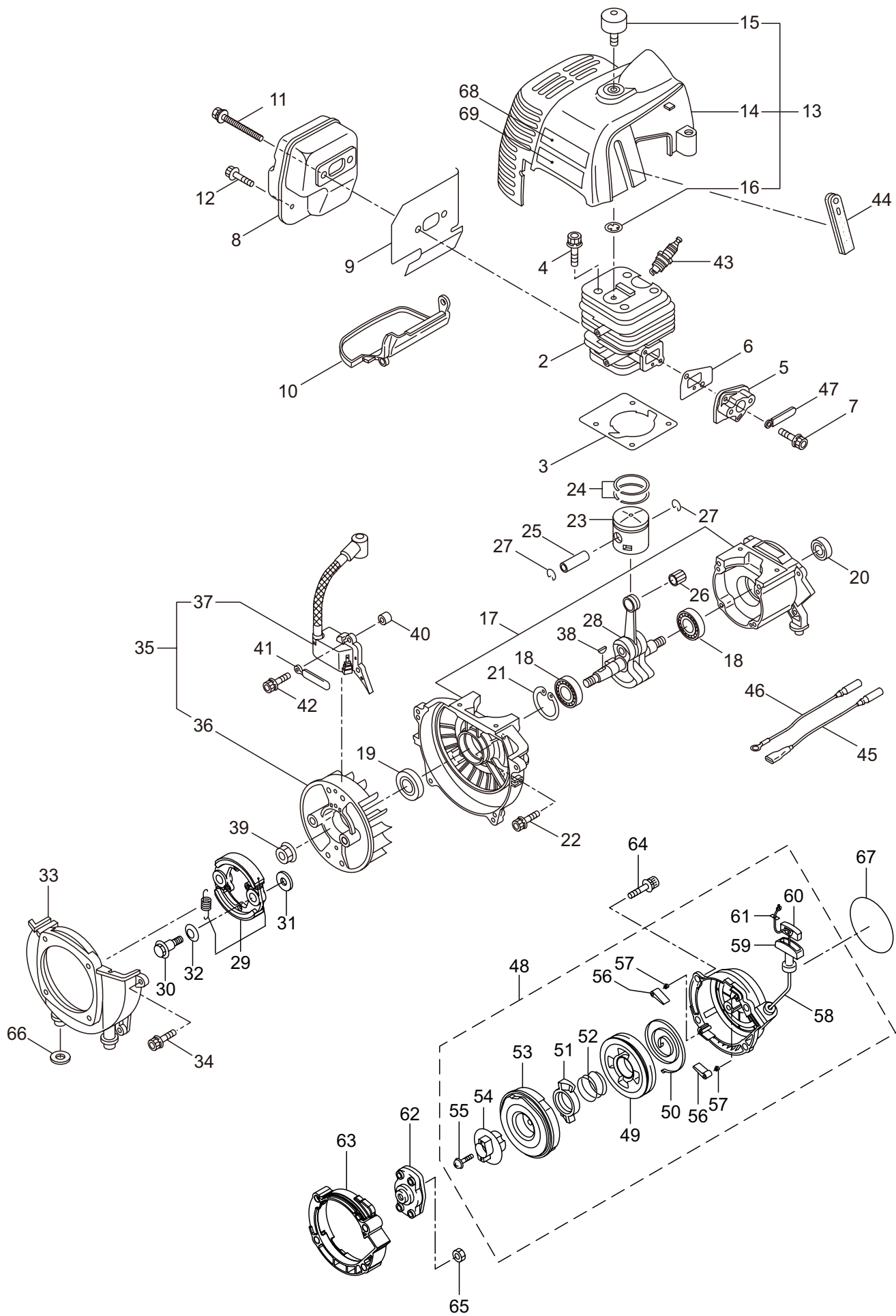




| Ref. No. | Part No. | Part Name       | Q'ty | Remarks   |
|----------|----------|-----------------|------|-----------|
| 3-1      | 234835   | Gearcase Ass'y  | 1    | Incl.2-18 |
| 3-2      | 232833   | Gearcase        | 1    |           |
| 3-3      | 234109   | Bolt            | 1    | M8x8      |
| 3-4      | 217134   | Bolt            | 1    | M6x30     |
| 3-5      | 234349   | Gear Set        | 1    |           |
| 3-6      | 014490   | Bearing         | 1    | #6000     |
| 3-7      | 106933   | Bearing         | 1    | #6000Z    |
| 3-8      | 014210   | Snap Ring       | 1    | #10       |
| 3-9      | 054676   | Snap Ring       | 1    | #26       |
| 3-10     | 014490   | Bearing         | 1    | #6000     |
| 3-11     | 012544   | Bearing         | 1    | #6202     |
| 3-12     | 012380   | Snap Ring       | 1    | #35       |
| 3-13     | 232049   | Oil Seal        | 1    | D21355    |
| 3-14     | 232322   | Bracket A Ass'y | 1    |           |
| 3-15     | 232052   | Bracket B       | 1    |           |
| 3-16     | 230849   | Stabilizer      | 1    |           |
| 3-17     | 232920   | Nut             | 1    | M10x1.25  |
| 3-18     | 217135   | Bolt            | 1    | M6x10     |
|          |          |                 |      |           |
|          |          |                 |      |           |
|          |          |                 |      |           |
|          |          |                 |      |           |
|          |          |                 |      |           |
|          |          |                 |      |           |

# BC4322H-RS

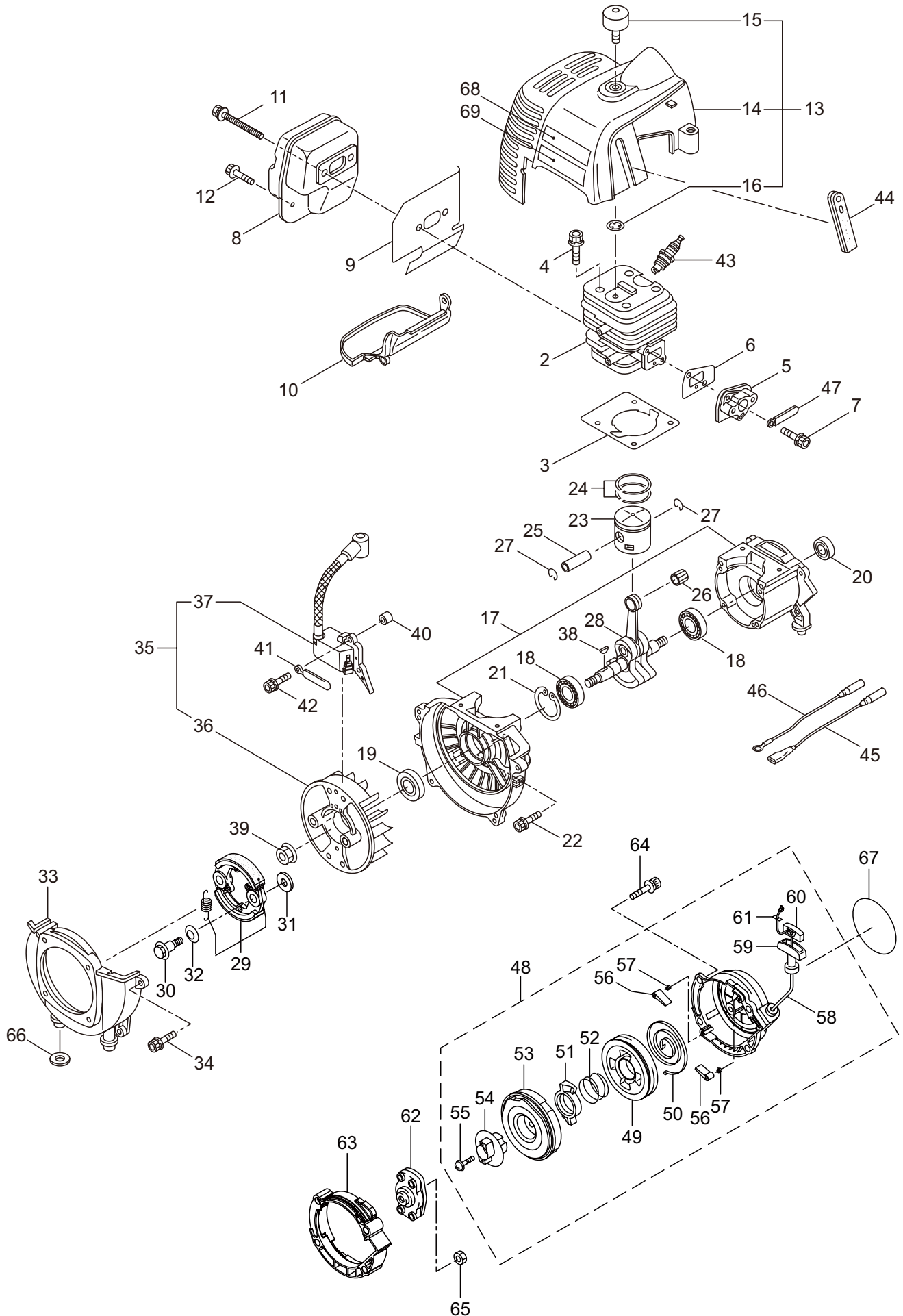
## 4. ENGINE



| Ref. No. | Part No. | Part Name                 | Q'ty | Remarks             |
|----------|----------|---------------------------|------|---------------------|
| 4-1      | 875708   | Engine                    | 1    | CE420/42            |
| 4-2      | 246493   | Cylinder Comp             | 1    |                     |
| 4-3      | 279101   | Gasket                    | 1    |                     |
| 4-4      | 261246   | Cap Screw                 | 4    | M5x25               |
| 4-5      | 285778   | Insulator                 | 1    | New gasket required |
| 4-6      | 285779   | Gasket                    | 1    |                     |
| 4-7      | 265924   | Cap Screw                 | 2    | M5x25               |
| 4-8      | 285781   | Muffler Comp              | 1    |                     |
| 4-9      | 285783   | Gasket                    | 1    |                     |
| 4-10     | 285784   | Under Cover               | 1    |                     |
| 4-11     | 266713   | Cap Screw                 | 2    | M5x60               |
| 4-12     | 283315   | Screw                     | 1    | M5x12W-12           |
| 4-13     | 286891   | Top Cover Ass'y           | 1    | Incl.14-16          |
| 4-14     | 285786   | Top Cover                 | 1    |                     |
| 4-15     | 285843   | Knob                      | 1    |                     |
| 4-16     | 286362   | Washer                    | 1    | M6                  |
| 4-17     | 288200   | Crankcase                 | 1    |                     |
| 4-18     | 262658   | Bearing                   | 2    | #6202C3             |
| 4-19     | 246472   | Oil Seal                  | 1    |                     |
| 4-20     | 246471   | Oil Seal                  | 1    |                     |
| 4-21     | 012380   | Snap Ring                 | 1    | #35                 |
| 4-22     | 261612   | Cap Screw                 | 4    | M5x30               |
| 4-23     | 285795   | Piston                    | 1    |                     |
| 4-24     | 262476   | Piston Ring               | 2    | (2)Required         |
| 4-25     | 262749   | Piston Pin                | 1    |                     |
| 4-26     | 262659   | Bearing,Needle            | 1    | KTV111414EG01B2     |
| 4-27     | 262479   | Clip,Piston Pin           | 2    |                     |
| 4-28     | 285797   | Crankshaft/Conn.Rod Ass'y | 1    |                     |
| 4-29     | 286905   | Clutch Ass'y              | 1    |                     |
| 4-30     | 246377   | Clutch Bolt               | 2    | M8x1.25             |
| 4-31     | 262683   | Washer                    | 2    | 8x22x1.2            |
| 4-32     | 262682   | Wave Washer               | 2    |                     |
| 4-33     | 282285   | Fan Cover                 | 1    |                     |
| 4-34     | 261250   | Cap Screw                 | 4    | M5x20               |
| 4-35     | 287597   | Magneto Ass'y             | 1    | Incl.36,37          |
| 4-36     | 286207   | Rotor/Fan                 | 1    |                     |
| 4-37     | 287598   | Ignition Coil Ass'y       | 1    |                     |
| 4-38     | 261076   | Woodruff Key              | 1    | 3x10                |
| 4-39     | 262731   | Nut,Rotor                 | 1    | M10                 |
| 4-40     | 280381   | Spacer                    | 2    |                     |
| 4-41     | 287714   | Clamp                     | 1    |                     |
| 4-42     | 261256   | Cap Screw                 | 2    | M4x25               |
| 4-43     | 288264   | Spark Plug                | 1    | BPMR8Y              |
| 4-44     | 286988   | Grommet                   | 1    |                     |
| 4-45     | 283735   | Wire, Coil                | 1    |                     |

# BC4322H-RS

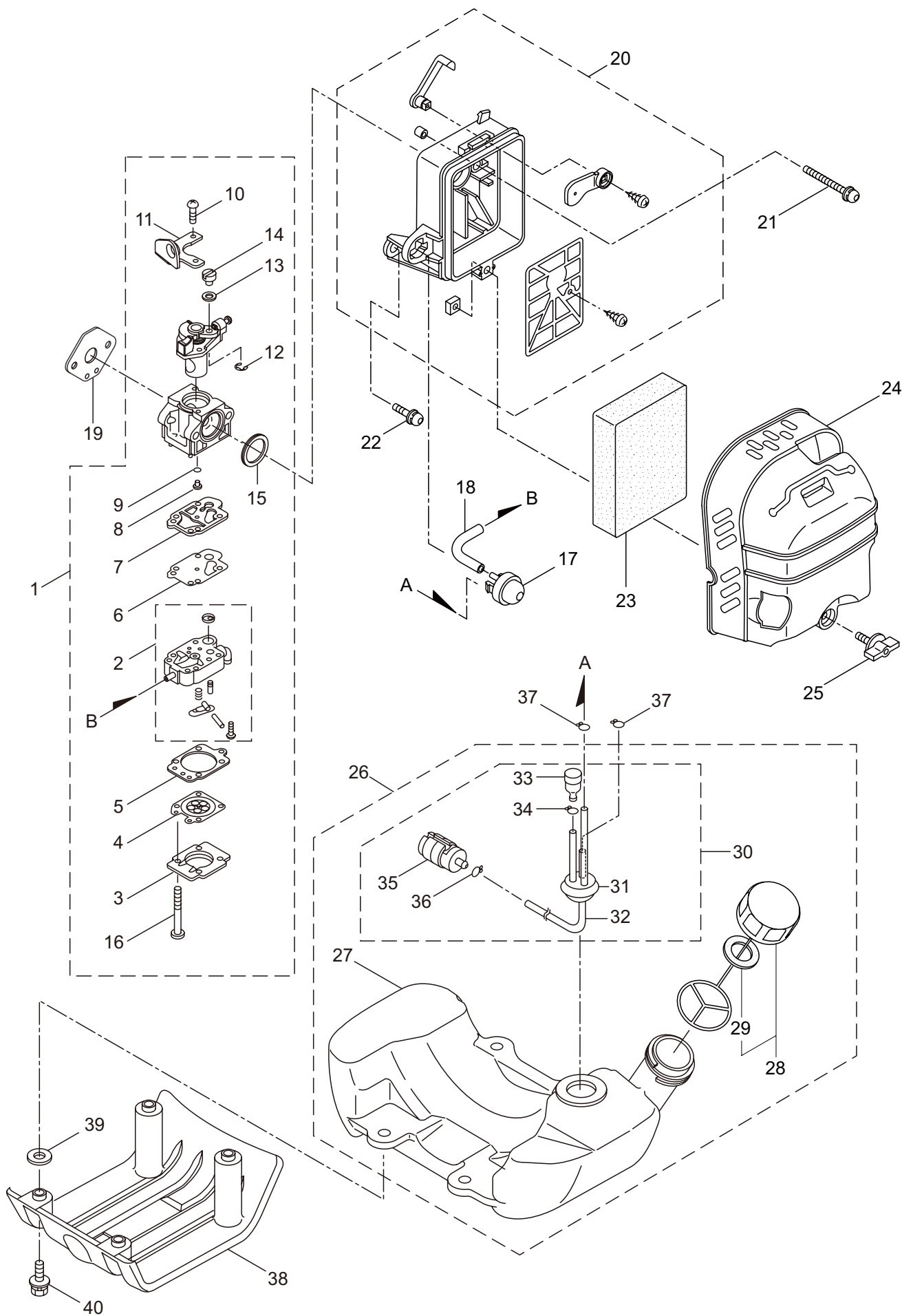
## 4. ENGINE



| Ref. No. | Part No. | Part Name            | Q'ty | Remarks     |
|----------|----------|----------------------|------|-------------|
| 4-46     | 284541   | Wire,Lead            | 1    | Incl.49-61  |
| 4-47     | 264588   | Clamp                | 1    |             |
| 4-48     | 286919   | Recoil Ass'y         | 1    |             |
| 4-49     | 280994   | Pulley               | 1    |             |
| 4-50     | 280995   | Spiral Spring        | 1    |             |
| 4-51     | 280996   | Pawl                 | 1    |             |
| 4-52     | 280997   | Return Spring        | 1    |             |
| 4-53     | 555277   | Spring Comp          | 1    |             |
| 4-54     | 280999   | Plate                | 1    |             |
| 4-55     | 281000   | Set Screw            | 1    |             |
| 4-56     | 281001   | Pawl                 | 2    |             |
| 4-57     | 281002   | Return Spring        | 2    |             |
| 4-58     | 281004   | Starter Rope         | 1    |             |
| 4-59     | 262633   | Starter Grip         | 1    |             |
| 4-60     | 262981   | Cap                  | 1    |             |
| 4-61     | 281005   | Rope Stopper         | 1    | M5x40<br>M8 |
| 4-62     | 280834   | Starter Pulley Ass'y | 1    |             |
| 4-63     | 286922   | Adapter              | 1    |             |
| 4-64     | 261999   | Cap Screw            | 4    |             |
| 4-65     | 126990   | Nut                  | 1    |             |
| 4-66     | 285735   | Packing              | 4    | MARUYAMA    |
| 4-67     | 248685   | Label                | 1    |             |
| 4-68     | 265694   | Label                | 1    |             |
| 4-69     | 246302   | Label                | 1    |             |
|          |          |                      |      |             |
|          |          |                      |      |             |
|          |          |                      |      |             |
|          |          |                      |      |             |

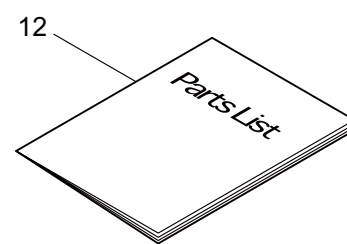
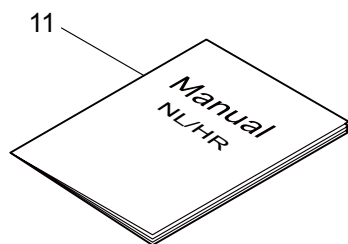
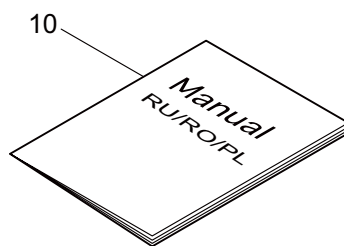
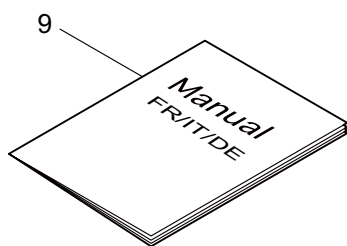
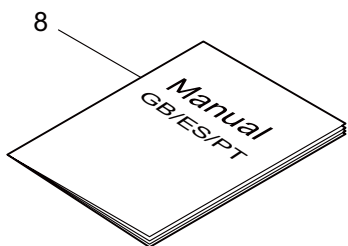
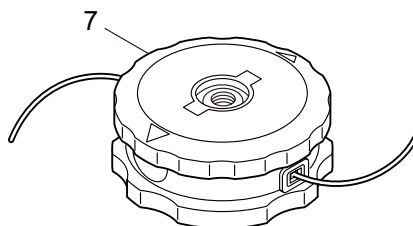
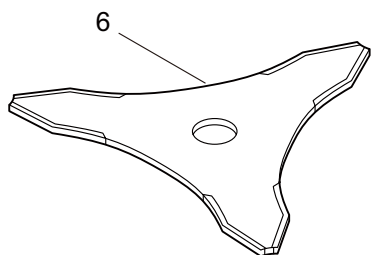
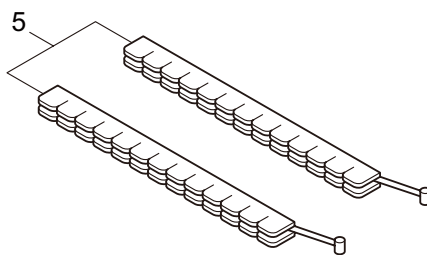
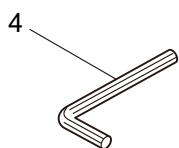
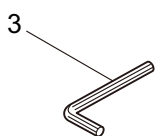
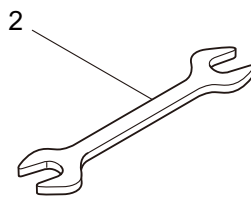
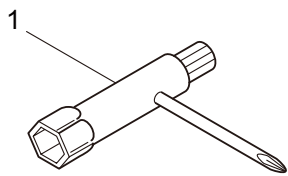
BC4322H-RS

5. CARBURETOR, FUEL TANK



| Ref. No. | Part No. | Part Name               | Q'ty | Remarks                       |
|----------|----------|-------------------------|------|-------------------------------|
| 5-1      | 287021   | Carburetor Ass'y        | 1    | Incl.2-16 New gasket required |
| 5-2      | 283124   | Pump Body               | 1    |                               |
| 5-3      | 263726   | Cover Plate             | 1    |                               |
| 5-4      | 283905   | Diaphragm, Metering     | 1    |                               |
| 5-5      | 263727   | Gasket                  | 1    |                               |
| 5-6      | 262994   | Diaphragm,Fuel Pump     | 1    |                               |
| 5-7      | 282576   | Gasket                  | 1    |                               |
| 5-8      | 287061   | Main Jet                | 1    |                               |
| 5-9      | 261871   | O-Ring                  | 1    |                               |
| 5-10     | 261875   | Screw                   | 2    |                               |
| 5-11     | 264677   | Bracket                 | 1    |                               |
| 5-12     | 261876   | E-Ring                  | 1    |                               |
| 5-13     | 264678   | Washer                  | 1    |                               |
| 5-14     | 261658   | Swivel                  | 1    |                               |
| 5-15     | 261657   | Packing                 | 1    |                               |
| 5-16     | 263737   | Screw                   | 4    |                               |
| 5-17     | 282299   | Pump                    | 1    |                               |
| 5-18     | 282512   | Fuel Pipe               | 1    |                               |
| 5-19     | 282301   | Gasket                  | 1    |                               |
| 5-20     | 249200   | Case Ass'y              | 1    |                               |
| 5-21     | 261814   | Cap Screw               | 2    | M5x50                         |
| 5-22     | 264807   | Cap Screw               | 1    | M5x16                         |
| 5-23     | 282306   | Element                 | 1    |                               |
| 5-24     | 285814   | Cleaner Cover           | 1    |                               |
| 5-25     | 279350   | Knob                    | 1    |                               |
| 5-26     | 286893   | Fuel Tank Ass'y         | 1    | Incl.27-36                    |
| 5-27     | 286067   | Fuel Tank               | 1    | Incl.29                       |
| 5-28     | 275306   | Fuel Tank Cap Ass'y     | 1    |                               |
| 5-29     | 274875   | Gasket                  | 1    | Incl.31-36                    |
| 5-30     | 286794   | Fuel Pipe Pick-up Ass'y | 1    |                               |
| 5-31     | 268065   | Grommet                 | 1    |                               |
| 5-32     | 262649   | Fuel Pipe               | 1    |                               |
| 5-33     | 261590   | Breather                | 1    |                               |
| 5-34     | 261117   | Clip                    | 1    |                               |
| 5-35     | 247107   | Filter Ass'y            | 1    |                               |
| 5-36     | 261117   | Clip                    | 1    |                               |
| 5-37     | 261117   | Clip                    | 2    |                               |
| 5-38     | 285819   | Stand                   | 1    |                               |
| 5-39     | 285735   | Packing                 | 4    |                               |
| 5-40     | 281714   | Cap Screw               | 4    |                               |
|          |          |                         |      |                               |

BC4322H-RS  
6. ACCESSORIES





| Ref. No. | Part No. | Part Name           | Q'ty | Remarks    |
|----------|----------|---------------------|------|------------|
| 6-1      | 228008   | Box Spanner         | 1    | 17x19x(+)  |
| 6-2      | 054756   | Double-ended Wrench | 1    | 10x13      |
| 6-3      | 219432   | Wrench              | 1    | 4mm        |
| 6-4      | 219433   | Wrench              | 1    | 5mm        |
| 6-5      | 220534   | Blade Cover         | 1    |            |
| 6-6      | 227910   | 3-Teeth Blade       | 1    |            |
| 6-7      | 234901   | Semi-Auto Head (L)  | 1    |            |
| 6-8      | 244232   | Instruction Manual  | 1    | GB/ES/PT   |
| 6-9      | 244233   | Instruction Manual  | 1    | FR/IT/DE   |
| 6-10     | 244234   | Instruction Manual  | 1    | RU/RO/PL   |
| 6-11     | 244235   | Instruction Manual  | 1    | NL/HR      |
| 6-12     | 525398   | Parts List          | 1    | BC4322H-RS |
|          |          |                     |      |            |
|          |          |                     |      |            |
|          |          |                     |      |            |
|          |          |                     |      |            |
|          |          |                     |      |            |
|          |          |                     |      |            |
|          |          |                     |      |            |
|          |          |                     |      |            |
|          |          |                     |      |            |